

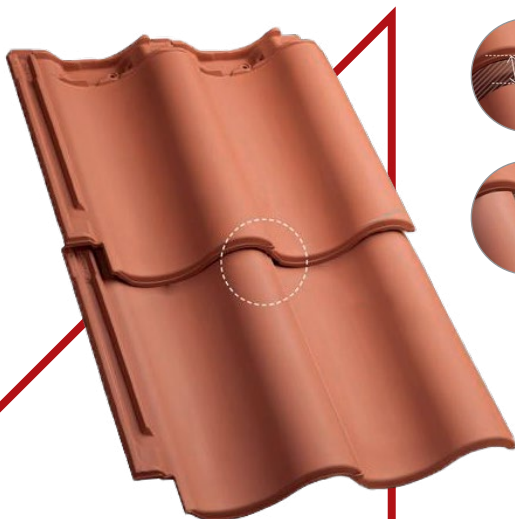
County Pantile

Traditional style, innovative design

The new County Pantile combines the visual qualities of a traditional clay pantile, with the enhanced performance of an interlocking design.

One of the main benefits of the new County is its variable gauge, providing greater flexibility to the user over the traditional fixed gauge format.

This paired with a generous shunt across the width makes the County Pantile a pleasure to work with.



Variable headlap



Variable shunt



Technical Specification

Minimum roof pitch	22.5°
Headlap (minimum)	62mm
Headlap (maximum)	77mm
Batten spacing at maximum gauge	320mm
Batten spacing at minimum gauge	305mm
Size of tile	382 x 256mm
Covering capacity	15.5 tiles per m ² at 62mm headlap
Cover width	202mm
Profile depth	65mm
Hanging length	355mm
Weight as laid	38.0kg per m ² at 62mm headlap
Weight per 1000 (incl pallet & packaging)	2.505 tonnes
Weight per tile	2.45kg
Weight per pallet (incl pallet & packaging)	0.963 tonnes
Bond	Straight
Quantity per pallet	378
Quantity per row/band	42
Quantity per mini pack	6
Quantity per layer	126
Mini packs per row	7
Battens per m ²	3.2m at 62mm headlap
Batten size - up to 450mm rafter centres	38 x 25mm
Batten size - up to 600mm rafter centres	50 x 25mm
Nail size / type for tiles	38 x 3.35mm aluminium ring shank clout head
Nail size / type for metal tile clips	Nail integrated with clip

Associated Fittings

- Left Hand Verge
- LH & RH Cloaked Verge
- Half Round Ridge 325mm
- Tile, Eave & Verge Clip
- In-Line Tile Ventilator
- Profile Dry Ridge System



Smoothfaced Colours

Natural Red+
11729481



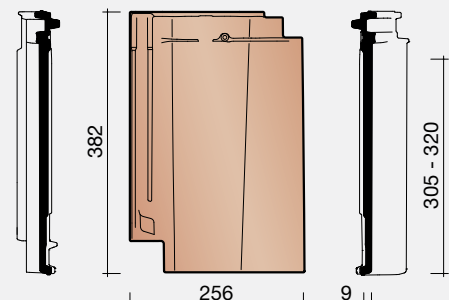
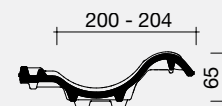
Mixed Russet
11729483



Antique Slate
11729558



Old Copper
11729482



0333 3050572

sandtoftorders@wienerberger.com

www.wienerberger.co.uk