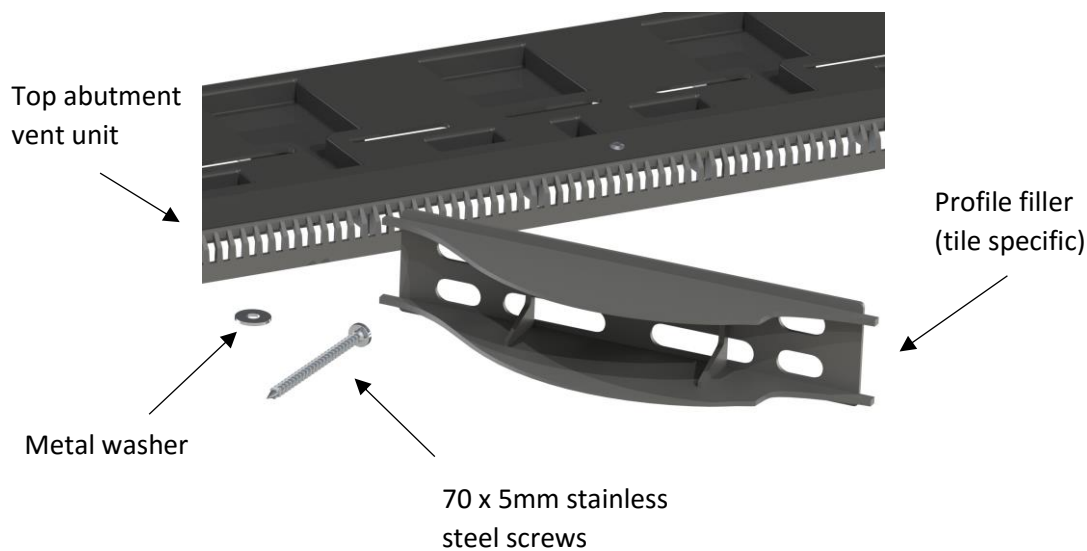


Installation guide for Top Abutment Ventilator

The Sandtoft top abutment ventilator system has been specially designed as an easy to use, dry fix solution, to ventilate top abutments when used with most Sandtoft tiles. Each kit covers a length of 2.7m, with each individual unit covering 0.9m. The system uses Sandtoft's Koraflex as the top abutment flashing (not included in the kit).

Components:

- 3 x Top abutment vent units
- 9 x Screws
- 9 x Washers
- Profile fillers (If ordered for a specific profiled tile)



You will need a cross head screwdriver/drill bit to install this system.

Compatibility:

The top abutment vent is compatible with most Sandtoft roof tiles, including the following:

Concrete: Plain Tile, Lindum, Standard Pattern, Shire Pantile, Calderdale Edge, Dual Calderdale Edge, TLE, Dual TLE, Double Roman, Double Pantile

Clay: Humber, Village, Alban, Barrow, Goxhill, Traditional Plain Tile, Shire Plain Tile, Peg Tile, 20/20, Balmoral, Cassius, Rivius, Olympus, County, Neo Pantile, 301, 303, Vauban, Actua,

Slate: Britlock, Britslate

Installation guide for Sandtoft Top Abutment Vent

Installation:

1) Lay the underlay in the usual way, leaving a continuous 10mm gap to the top abutment wall. This will allow a continuous airflow from the eaves, through the roof void and out of the top abutment vent.



2) Batten out in the usual way. Fix the top batten, allowing sufficient room for the nib of the tile. 30mm to 40mm from the abutment wall is sufficient for most tiles.



3) Tile the roof in accordance with your fixing specification, **DO NOT** nail/screw the top course of tiles yet.



Installation guide for Sandtoft Top Abutment Vent

4) **FOR PROFILED TILES ONLY.** If you are installing flat tiles then go straight to step 6. The profile fillers simply click into place underneath the vent as pictured. Ensure the ridge marking arrow is pointing towards the abutment wall. Once in place these can slide along the track as needed to suit the tiles.



5) Place the top abutment vent into position, lining the fixing slots up with the tiles nail hole(s) as circled in red.

A minimum of three fixings per unit is recommended for all Sandtoft tiles. A total of 9 fixings per 2.7m pack.

Using the slots as guidance, mark the tile nail holes you are going to fix the abutment vent through. Then remove the vent and fix through any remaining tile nail holes as normal.



6) Place the top abutment vent back into position and secure it in place using the screws and washers provided. Ensure the fixing goes through the slot and the tile nail hole as pictured.

DO NOT overtighten the screw, it should only just be touching the plastic to allow for expansion. If the plastic starts to bend down you have tightened it up too much.

TIP: Do not drive the screw home until all screws are in place. By doing this you allow horizontal movement in the slots to better place your other fixings, once all fixings are in you can tighten them all up.



Installation guide for Sandtoft Top Abutment Vent

5) Each top abutment vent interlocks with the next, with one fixed in place continue to work across from right to left following the previous steps.

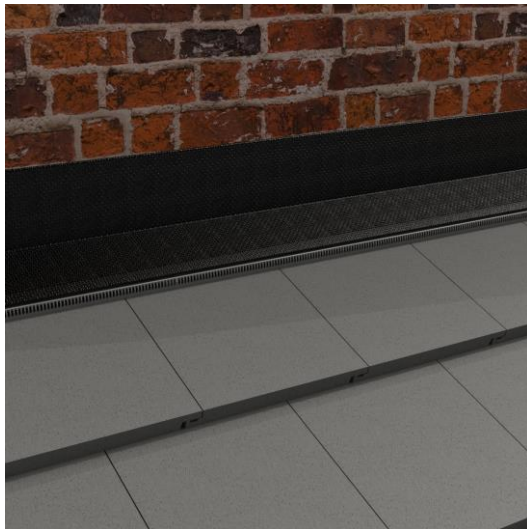
TIP: At this point if the vent is fitted correctly you should have some slight horizontal play. This allows for thermal expansion and stops deforming in extreme weather.



6) Measure the combined distance of the top abutment vent and the cover flashing up the wall.

Bend and form the Koraflex into shape and offer it to the wall.

Once happy remove the backing paper and adhere the Koraflex to the wall and the top abutment vent. Allow a 100mm side lap for additional flashings.



Technical Enquiries:

Tel: 0844 9395 999
Fax: 0844 9395 950
Email: sandtofttechnical@wienerberger.com

At Wienerberger we are continually innovating and improving our product range. We reserve the right to change product specifications without notice. Please contact our Customer Support Team for the latest information or visit

www.wienerberger.co.uk/technical-hub/rooftiles



Issue Date: 26/07/2018