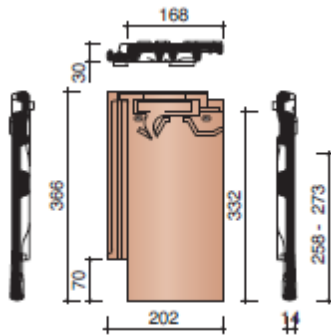


Notes on the installation of Vauban clay plain tiles



Comparison Table of 20/20 and Vauban Technical data

	20/20	Vauban
Minimum roof pitch*	15 ⁰	22.5 ⁰
Headlap	75 – 120 mm	93 – 108 mm
Gauge variability	210 – 255 mm	258 – 273 mm
Headlap variability	45 mm	15 mm
Size of tile	330 x 226 mm	366 x 202 mm
Covering capacity at maximum gauge	20.5 tiles per m ²	21.8 tiles per m ²
Cover width	191 mm	168 mm
Weight as laid	43.1 kg per m ²	47.96 kg per m ²
Weight per tile	2.0 kg	2.2 kg
Quantity per pallet	480	350
Battens per m2	4.3m at 100mm headlap 3.9m at 75mm headlap	3.7m at 93mm headlap
Nail size type for tiles	45 x 3.35mm aluminium ring shank clout head	50 x 3.35mm aluminium ring shank clout head
clips	Alloy clip with 55mm alloy clout head nail	20/20 alloy clip with 55mm alloy clout head nail

*For projects where the rafters are below 22.5 degrees **the roof substructure** must be installed in accordance with the **Sandtoft low pitch installation guide**. Contact Sandtoft Technical Department for advice and a full roof specification. **Rafter length restrictions** apply at minimum roof pitch.

Concealed tile ventilators must not be used on roof pitches below 22.5⁰. Low pitch concealed ventilators are available to suit 20/20. Contact Technical Support for further information.

General tiling

Vauban is a single lap, interlocking clay plain tile, laid cross-bonded on standard size battens. There is no discernible difference in speed of laying general tiling between 20/20 and Vauban.

Headlap variability

Vauban has a headlap variability of 15mm; considerably less than 20/20, which has 45mm. However, in practice, it is enough to enable the roofer to set out to full courses on the average roof slope.

Nailing & clipping



In common with 20/20 tiles, Vauban has a single nail fixing at the head.

The minimum fixing specification in the general areas of roof is to fix each tile using 50 x 3.35mm aluminium ring shank clout head nails.

20/20 alloy tile clips can be used with Vauban, fixed with standard 55mm alloy nails.

Verge



Tiling commences from the right hand verge using standard tiles and RH tile-and-half tiles in alternate courses. Similarly, tiling finishes at the left hand verge using LH verge tiles and LH tile-and-half tiles in alternate courses. The tile-and-half tiles have a mock bond and so look in keeping with the general tiling.

Cloaked verge



Purpose made cloak verge tiles are available for Vauban. These are in tile and tile-and-half width cloaks, for use in alternate courses at left and right hand verges.

Continuous dry verge



The 20/20 MF dry verge will not fit Vauban and the gauge is too small for LF dry verge or Multiverge.

We will therefore offer a continuous plastic dry verge system. This will be available initially in black, in 3 metre lengths. The only fittings normally required are connectors. Eaves closures are available; these have to be bonded onto the end of the verge unit, but are not usually required.

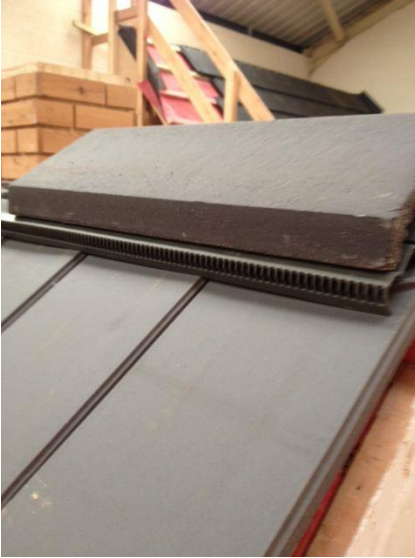
To install the continuous dry verge, the tile battens are finished flush with the outer edge of the gable wall or bargeboard. The verge unit fits directly underneath the tile battens, please refer to installation guide for further information.

Eaves



The side interlock on the standard Vauban tile stops 70mm short of the tail, therefore special eaves course tiles are required which have extended side interlocks. These will be available at the same price as the standard tiles.

Ridge



Vauban finishes at the ridge with standard tiles. All Sandtoft dry ridge systems can be used; ie Profile ridge, RollRidge and Multiversal, with Sandtoft clay or Duracoat half round ridge or Duracoat legged angle ridges.

Hip



Standard tiles and tile-and-half tiles can be used to finish at the hip. Sandtoft Roll Hip and Multiversal dry hip systems can be used, with Sandtoft clay third round or Duracoat half round or legged angle hip ridges.

Ridge vents and tile vents

Sandtoft legged angle and half round Duracoat concealed air vent ridges are compatible with Vauban.

Concealed tile ventilators are available in matching colours, for roof space ventilation or with pipe adaptor for soil & vent pipes and mechanical extraction.

Colours

Slate Grey (which is slightly lighter than Antique)

Red

Multiblend (similar to Tuscan)

Slate engobe (closer to Sandtoft Antique)

For further assistance and technical information, please contact Sandtoft Technical Services.