

February 2021



General Specification - Standard Tiles (215 x 65mm)

British Board of Agrément - Certificate 19/5693

Corium is a facade system including purpose-made fired clay tiles. Section 1.2 requires that Corium tiles must be manufactured to the required specification i.e. this General Specification. The BBA carry out inspections to assess compliance in accordance with an agreed quality plan.

Weight

Mean tile weight = 0.830 kg

Corium individual dry tile weights can vary and are for guidance only.

Durability

Suitable for severe exposure applications.

May be considered equivalent to F2 designation to BS EN 771-1.

Soluble Salt Content

Soluble salt content is negligible and is not tested.

May be considered equivalent to S2 designation to BS EN 771-1.

Water Absorption

The water absorption of the tiles to EN ISO 10545-3 is $\leq 3\%$.

Reaction to Fire

Class A1 in accordance with EN 13501-1.

Size Tolerances

To achieve the size consistency desired for the Corium system, Corium tiles conform to tighter dimensional tolerances than most bricks. Wienerberger has set tolerances for standard and corner tiles as listed below*. A calculation worksheet for on site assessment can be found at the end of this document.

Target - 215mm	Min. Mean of 10	213 mm
	Max. Mean of 10	217 mm
Target - 102mm	Min. Mean of 10	100 mm
	Max. Mean of 10	104 mm
Target - 65mm	Min. Mean of 10	63 mm
	Max. Mean of 10	67 mm
Target - 32mm	Min. Mean of 10	30 mm
	Max. Mean of 10	34 mm

*Tolerances on other shapes and sizes to be agreed before order placement.

Curvature/Flatness (Deviation of face)

+/- 1.5% of the target length/height of the tile.

Squareness/Rectangularity

+/- 1.5% of the target length/height of the tile.

Bowing (Deviation of face in elevation)

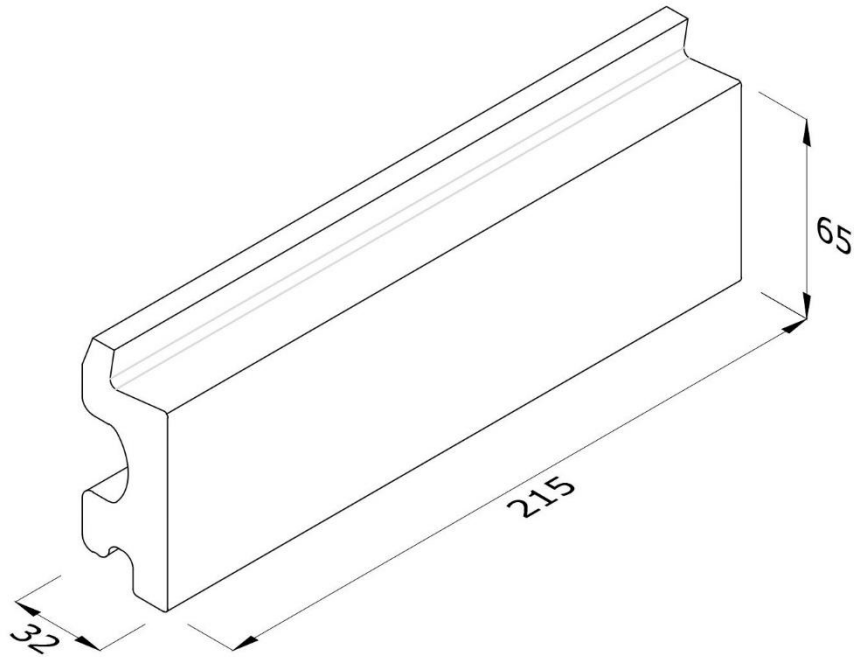
Maximum deviation of mean of 10 samples from a straight edge = 2mm.

Angle (External corner units)

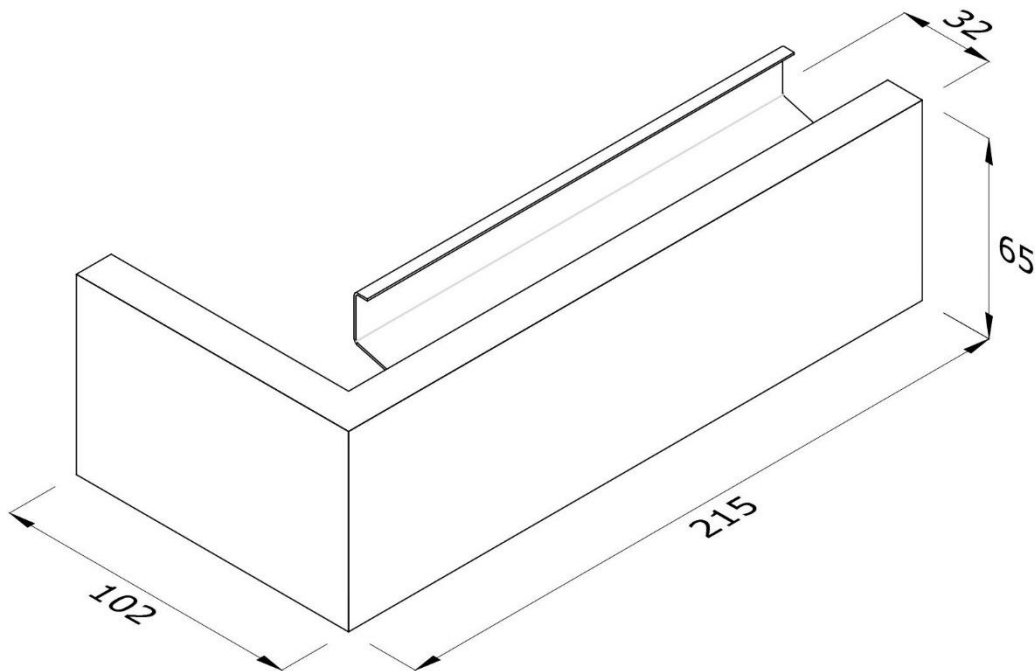
Target angle +/- 2 degrees.

Dimensioned drawings of Standard Corium and One-Piece Corner Units to Show Target Dimensions

Standard Tile



One-Piece Corner (Left Hand Unit Shown)



Calculation Worksheet - Dimensions and Tolerances

Samples for assessment must be taken at random from a reasonable number of supplied units.

Tolerances are based on comparing the mean of ten individual measurements (measured with a tape along the centre line of the face) against the target dimension.

	Height (mm)	Length (mm)	Return Leg (mm)	Thickness (mm)
Target Dimension	65	215	102	32
Tile 1				
2				
3				
4				
5				
6				
7				
8				
9				
10				
Total				
Mean				

Appearance

The appearance of the Corium cladding system is inherently variable due to tile manufacturing and installation factors and this is usually considered desirable, helping give the system its brickwork-like character and human scale.

After initial viewing of previous projects or sampling with small scale indicative samples (often handmade), it is important that a project reference panel is constructed using machine-made tiles. The reference panel must be built vertical so it can be viewed in natural light from at least 3m (10m recommended by NHBC), with at least 50no. tiles and be pointed. During installation of the works Corium installers will offer elevations for approval before and after mortar pointing. Full details of the characteristics of the tiles, sampling and reference panel procedures is given in the Corium Brick Sampling Guidance Notes.

Please also refer to the following documents regarding permissible deviations in brickwork;

- BS 8000-3:2020 Workmanship on construction sites, Part 3: Masonry - Code of practice.
- NHBC Standards 2021, 9.1 A consistent approach to finishes, 9.1.2 External walls - Fairfaced masonry.